

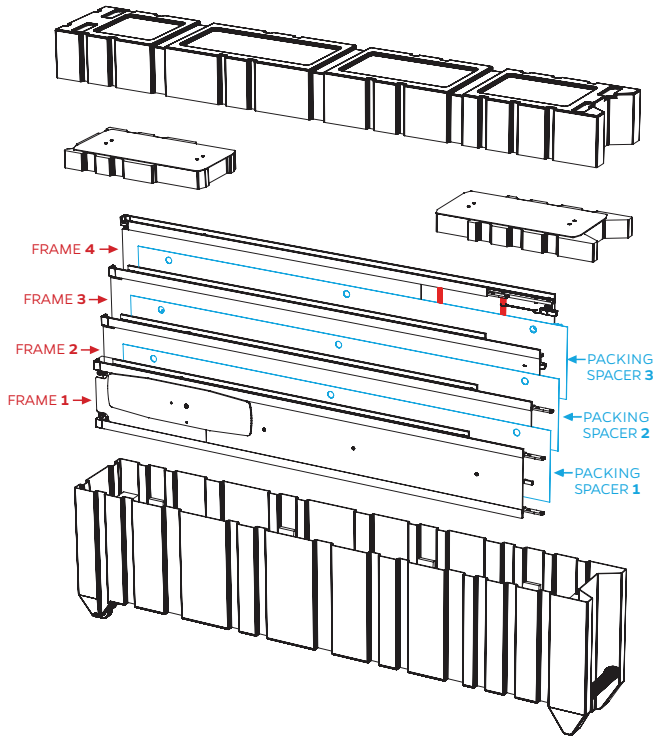
plikó

SETUP INSTRUCTIONS



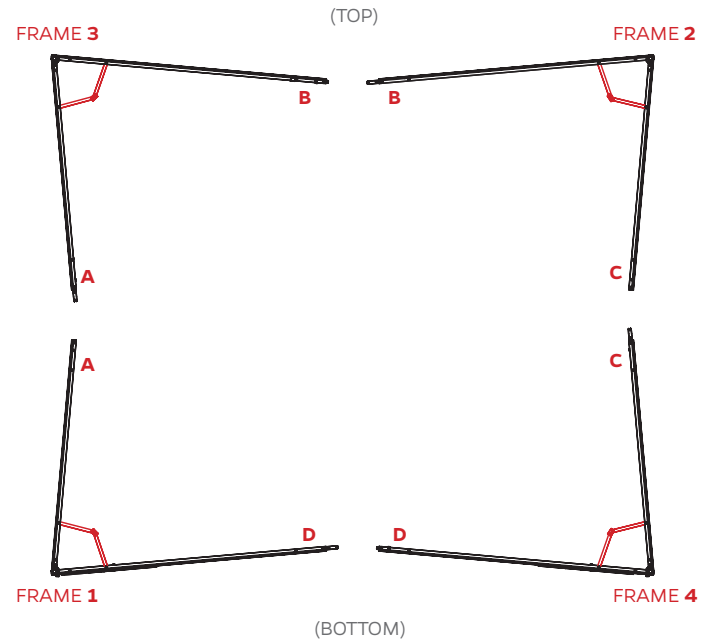
agam.com
PHONE 1.410.796.6400 TOLL-FREE 1.800.645.0854
6695 Business Parkway, Elkridge Maryland 21075 USA

1



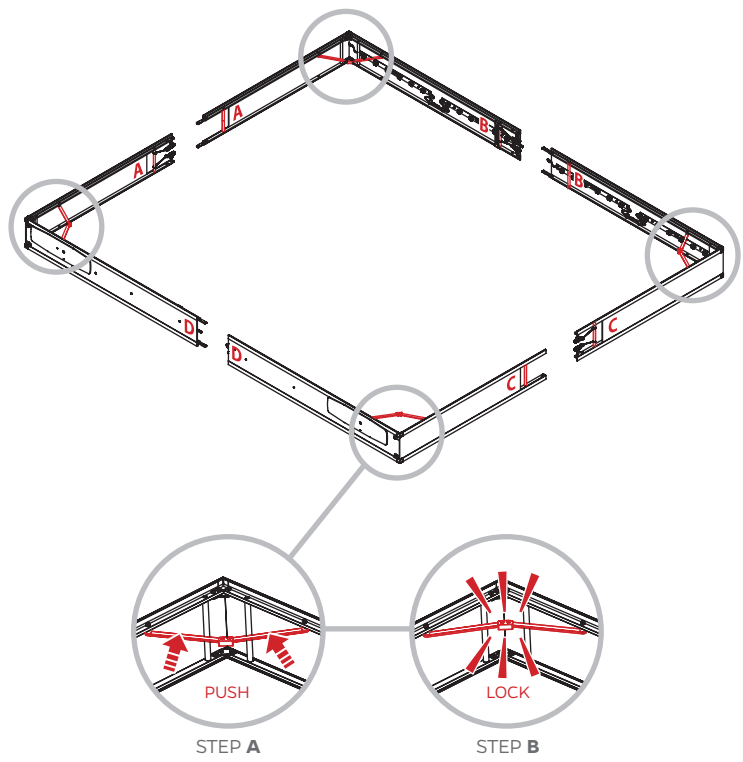
REMOVE FROM BOX

2



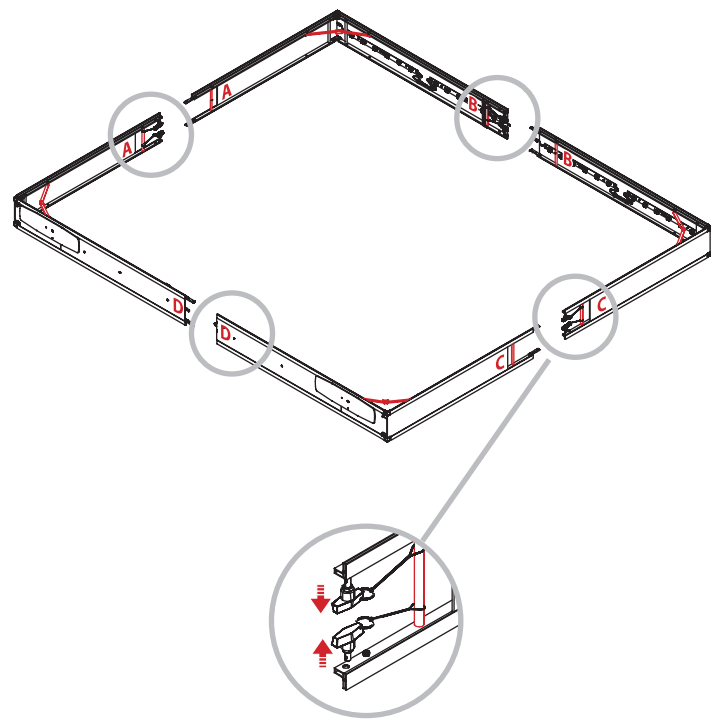
LAY OUT FRAME

3



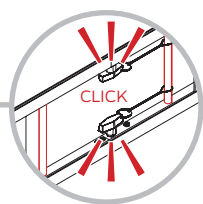
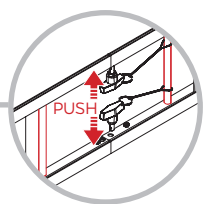
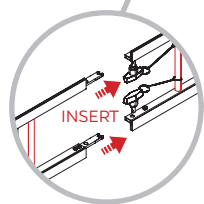
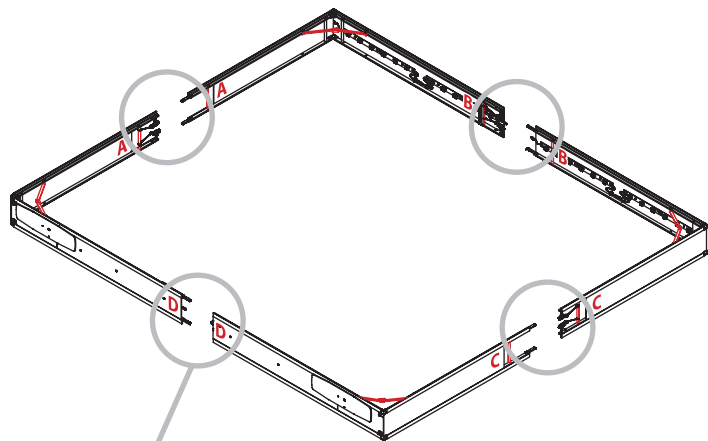
LOCK CORNER BRACES x4

4



REMOVE PLUNGERS x4

5



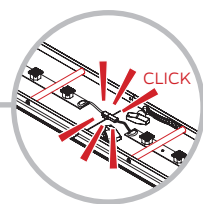
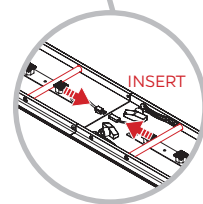
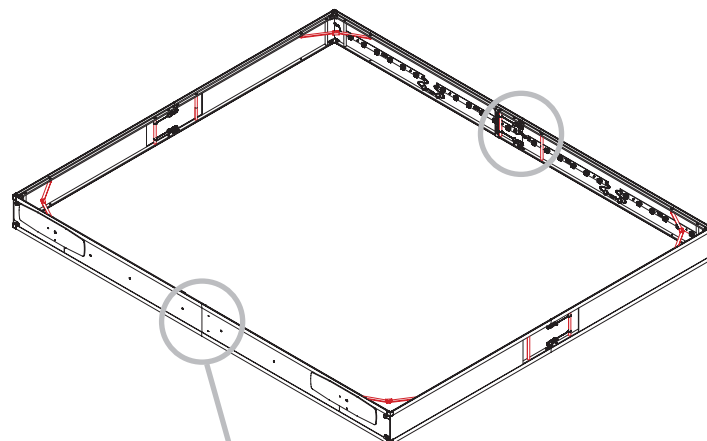
STEP A

STEP B

STEP C

CONNECT SPLINES x4

6

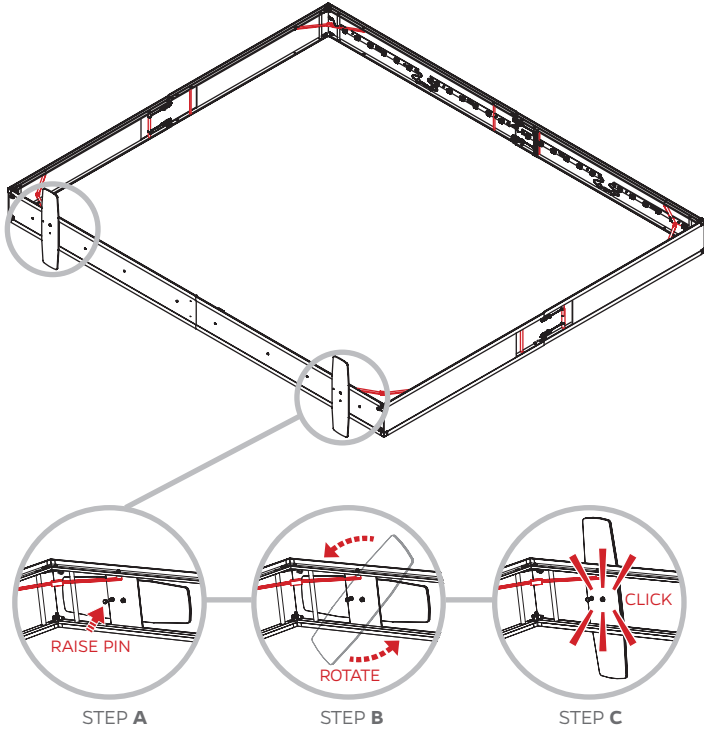


STEP A

STEP B

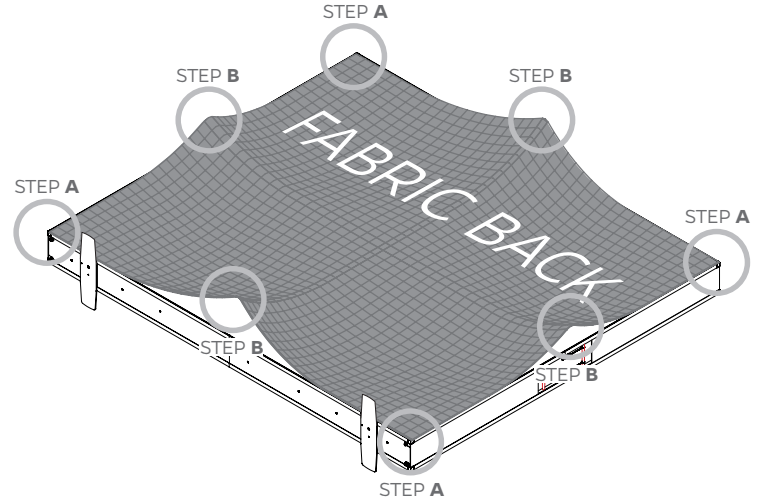
LED STRIP CONNECTION x2

7



ROTATE FLOOR BASES x2

8

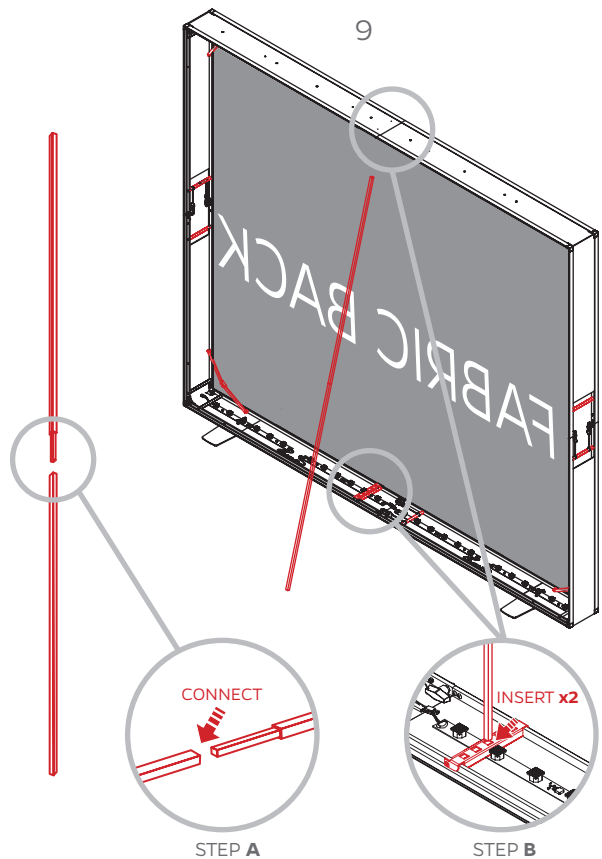


STEP A: Insert the stitched silicone edge into the channel on all four corners.

STEP B: Find the center of each side and work in a small portion of the fabric. **Do not insert more than 8" at a time.** Continue to do this around the frame as each untucked section gets halved so fabric is evenly distributed.

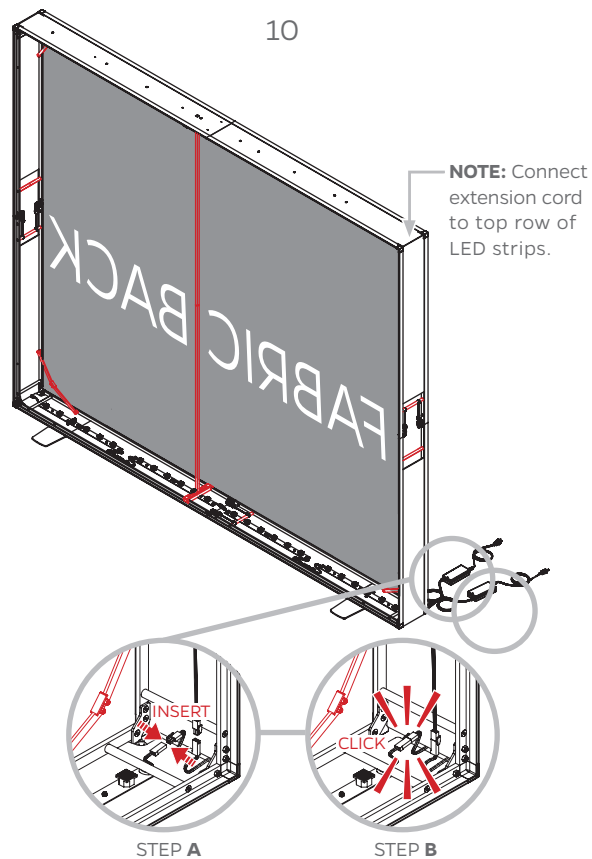
INSERT FABRIC (BACK)

9



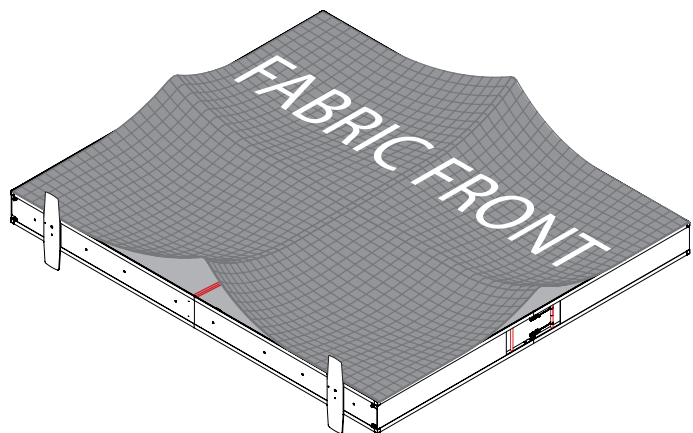
RAISE FRAME AND INSERT SUPPORT

10



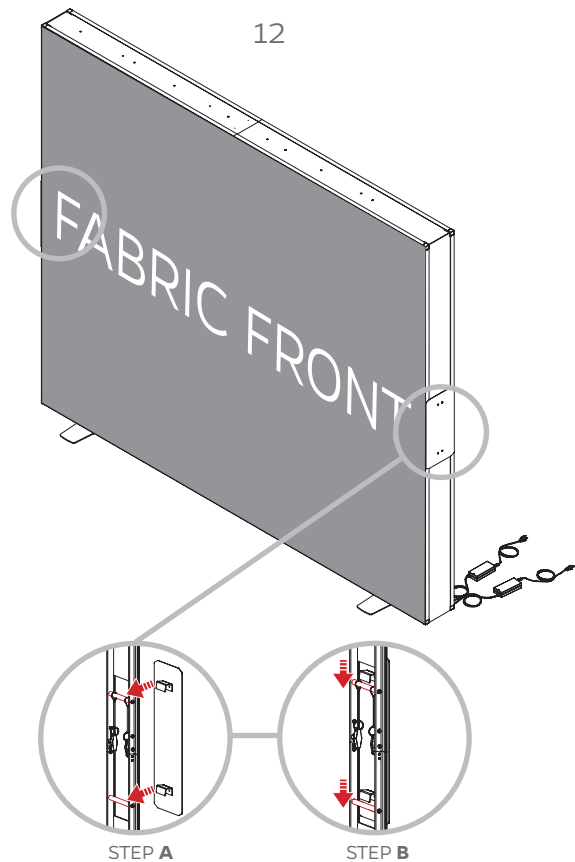
LED POWER CONNECTION x2

11



LOWER FRAME AND INSERT FABRIC (FRONT)

12



RAISE FRAME INSERT SIDE PLATES x2

Disassemble Plikó in reverse order.

See case lid for detailed packaging instructions.